

<b>Equipment</b>	<b>Positive Displacement meter</b>		
<b>Model</b>	<b>ZC17-330 with electronic register</b>		
<b>Performance characteristics</b>			
Measured liquids	Liquid hydrocarbons, industrial oils, fatty acid esters, ethanol		
Static pressure	max	15 bar	
Inlet pressure	max	10 bar	
Liquid temperature	min / max	- 10°C / +90°C	14°F / +194°F
Working flow rate	min / max	33 m <sup>3</sup> /h - 550 L/min - 145 USGPM / 330 m <sup>3</sup> /h - 5500 L/min - 1453 USGPM	
Liquid viscosity	max	20 mm <sup>2</sup> /s (MID) - 800 mm <sup>2</sup> /s - at operating conditions	
Accuracy	+/- 0.15% of measured value		
Repeatability	+/- 0.02% of measured value		
Pressure drop	See attached pressure drop chart		
Calibration report	On 3 points (33 m <sup>3</sup> /h, 165 m <sup>3</sup> /h, 330 m <sup>3</sup> /h)		
<b>Manifold</b>			
Connection nominal size	DN 200 / 8"		
Material	Steel (EN 1.0625), Steel with AMERON anticorrosion internal lining (option)		
End connection style	Flanges ASA 150 RF, ISO PN16		
Flow direction/Mounting	PH2, PH1, PV1, PV2, PV3, PV4 - See attached document		
Coating	Acrylic-Epoxy coating RAL5010, Marine Epoxy coating RAL5010 (option)		
<b>Flowmeter body</b>			
Body material	Ductile iron (EN 5.3201), Ni resist iron (EN-JL3011) (option)		
Cap/end cover material	Carbon steel (EN 1.0625) with protective coating		
Seal/O-ring material	Viton, Nitrile (option for alcohols measurement)		
External coating	Acrylic-Epoxy coating RAL5010, Marine Epoxy coating RAL5010 (option)		
<b>Measuring chamber</b>			
Displacement element type	Sliding vanes flowmeter		
Cyclic volume	9.09 L – 2.4 USG		
Blades / Blades connection rods	Graphite / Stainless steel		
Rotor	Aluminum (EN AC-42100)		
Bearings	Stainless steel (EN 1.4301)		
Swing joint	Viton, Nitrile (option for alcohols), PTFE (option low ambient temperature)		
<b>Drive train and adjuster</b>			
Drive type	Mechanical transmission		
Accuracy adjuster type	Calibration constants		
Pulses transmitter	Type AC30		
Temperature compensation type	With Pt100		
<b>Register</b>			
Register type	Electronic register		
Model	Equalis S or equivalent		
<b>Environmental</b>			
Ambient working temperature	min / max	-25°C, -40°C (option) / +55°C	-13°F, -40°F (option) / +131°F
Storage temperature	min / max	-40°C / +80°C	-40°F / +176°F
<b>Certification</b>			
ATEX	Zone 1 II 2 G – See note 1		
European metrology	CE /MID evaluation certificate n°LNE-11052X		
International metrology	OIMLR117-1, type compliance certificate n°LNE-24351		
Standards compliance	API, ASME, GOST, NATO - See note 2		

Note 1: See AC30 and Equalis S data sheets for Ex approval characteristics

Note 3: Contact us for further information about standards compliance.

**SATAM sas****Headquarters & Sales Department**

Paris Nord 2 – Bâtiment Le Gauvain  
47, allée des Impressionnistes – BP85012 – Villepinte  
95931 Roissy CDG Cedex – France  
Tel : +33 (0)1 48 63 02 11 – Fax: +33 (0)1 49 38 41 01  
Email : sales@satam.eu

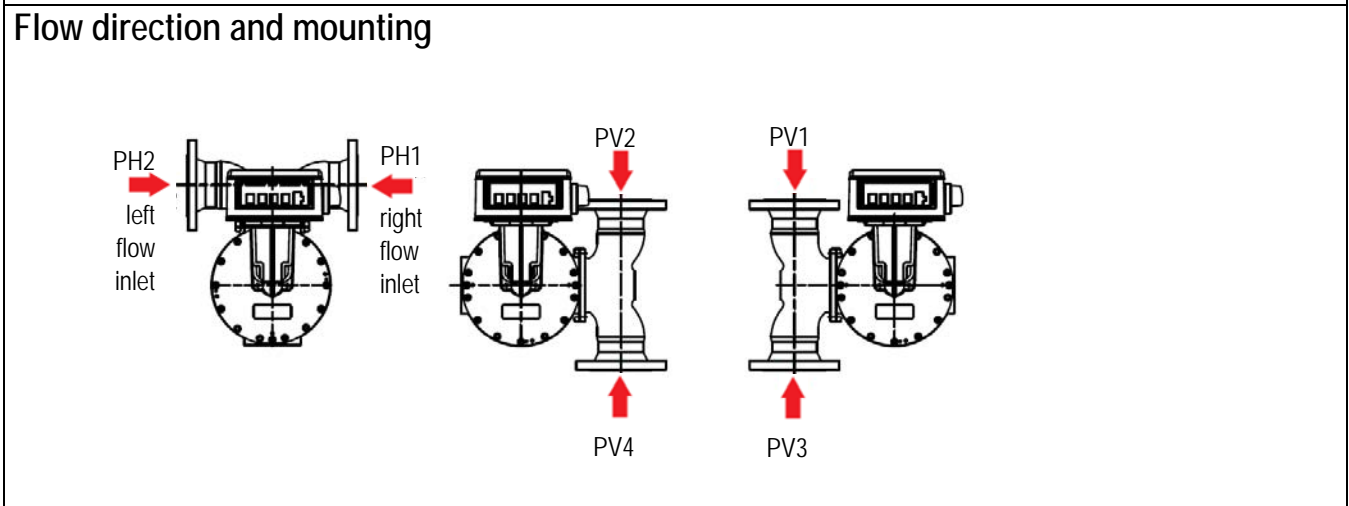
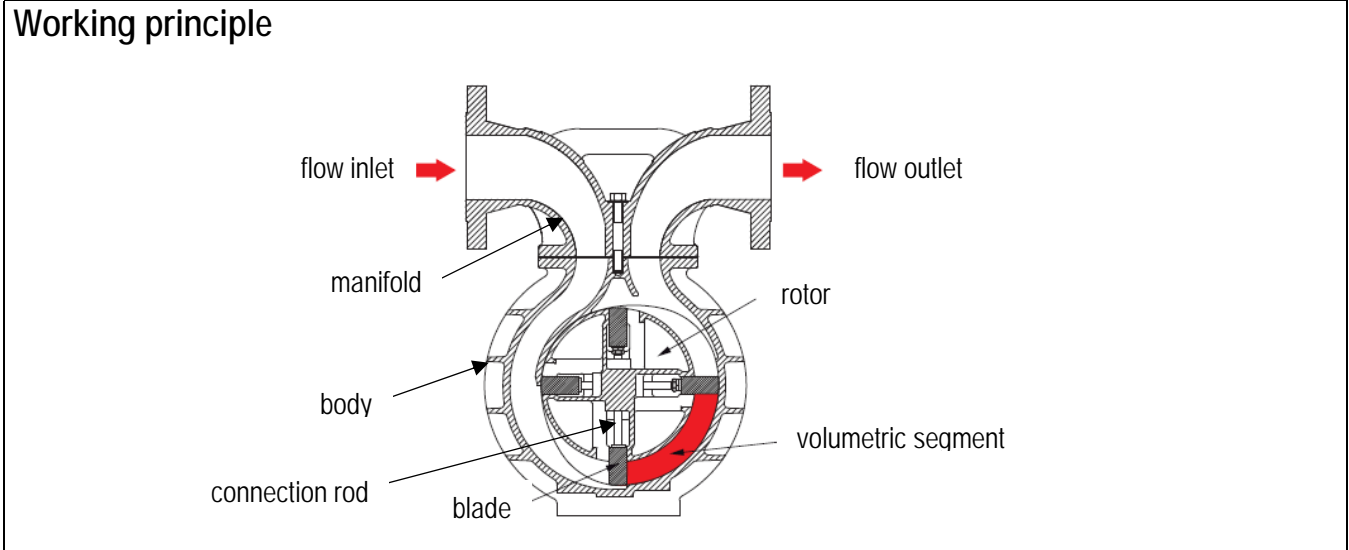
**Manufacturing facility**

Avenue de Verdun  
14700 Falaise – France  
Tel : +33 (0)2 31 41 41 41  
Fax : +33 (0)2 31 40 75 61

**www.satam.eu**

DS013-Rev02-07/17-Marketing Satam  
Subject to modification without prior notice

<b>Equipment</b>	<b>Positive Displacement meter</b>
<b>Model</b>	<b>ZC17-330 with electronic register</b>



**Dimensions and weight**

Dimensions and weight are mentioned without electronic register.  
Please refer to Equalis S data sheets for information about dimensions and weight of electronic register.

Dimensions (mm)	ZC17-330
A (with flanges 8" ASA150RF)	400
B	625
C	658
Weight (kg)	180

**SATAM sas**

**Headquarters & Sales Department**

Paris Nord 2 – Bâtiment Le Gauvain  
47, allée des Impressionnistes – BP85012 – Villepinte  
95931 Roissy CDG Cedex – France  
Tel : +33 (0)1 48 63 02 11 – Fax: +33 (0)1 49 38 41 01  
Email : sales@satam.eu

**Manufacturing facility**

Avenue de Verdun  
14700 Falaise – France  
Tel : +33 (0)2 31 41 41 41  
Fax : +33 (0)2 31 40 75 61

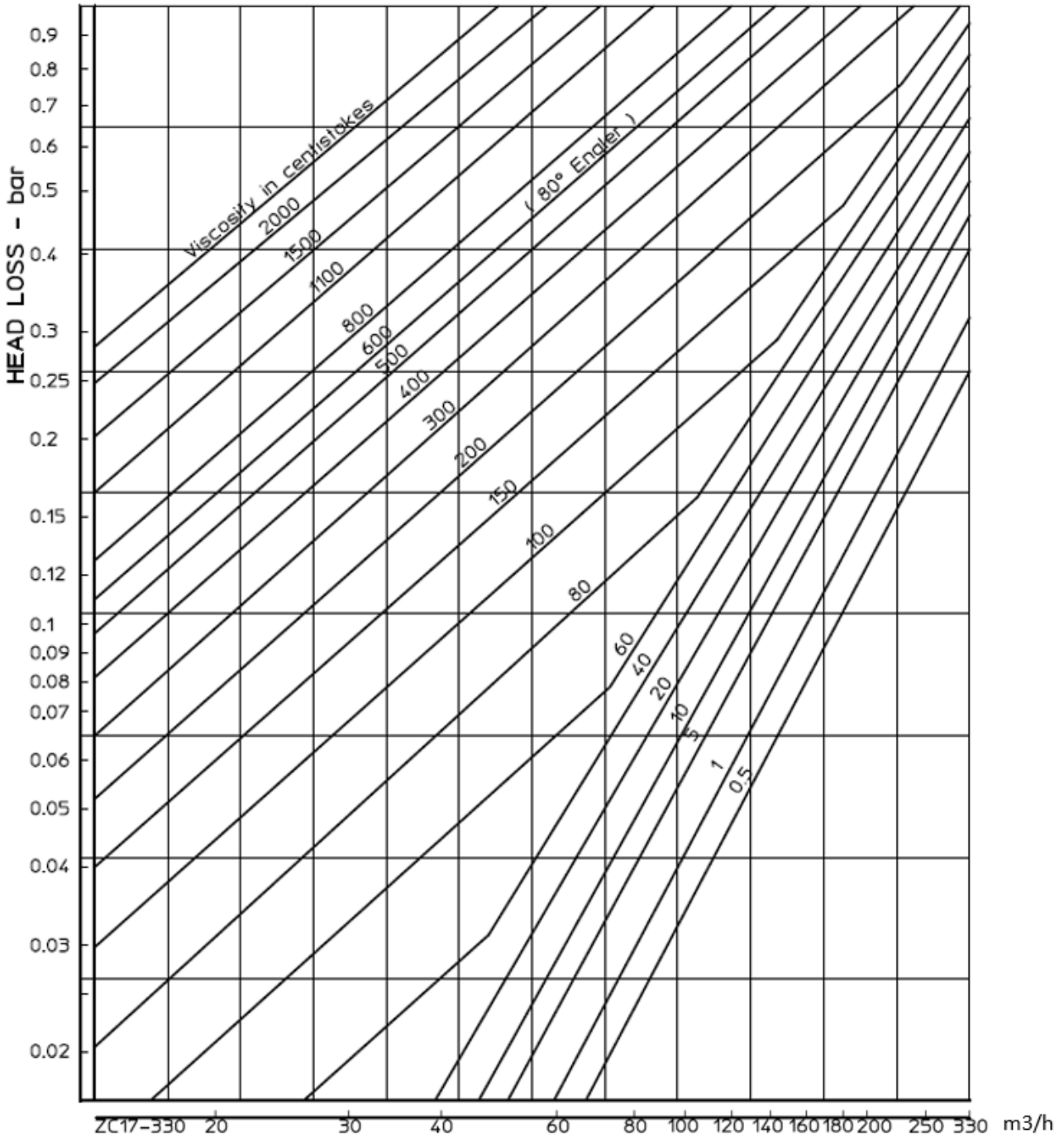
**Equipment**

**Positive Displacement meter**

**Model**

**ZC17-330 with mechanical register**

**Pressure drop chart**



**SATAM sas**

**Headquarters & Sales Department**

Paris Nord 2 – Bâtiment Le Gauvain  
 47, allée des Impressionnistes – BP85012 – Villepinte  
 95931 Roissy CDG Cedex – France  
 Tel : +33 (0)1 48 63 02 11 – Fax: +33 (0)1 49 38 41 01  
 Email : sales@satam.eu

**Manufacturing facility**

Avenue de Verdun  
 14700 Falaise – France  
 Tel : +33 (0)2 31 41 41 41  
 Fax : +33 (0)2 31 40 75 61

[www.satam.eu](http://www.satam.eu)

DS013-Rev02-07/17-Marketing Satam  
 Subject to modification without prior notice