

Equipment	Positive Displacement meter	
Model	ZC17-80 with electronic register	
Performance characteristics		
Measured liquids	Liquid hydrocarbons, industrial oil, fatty acid esters, ethanol	
Static pressure	max	15 bar
Inlet pressure	max	10 bar
Liquid temperature	min / max	- 10°C / +90°C 14°F / +194°F
Working flow rate	min / max	8 m3/h - 133 L/min - 36 USGPM / 80 m3/h - 1333 L/min - 360 USGPM
Liquid viscosity	max	20 mm ² /s (MID) - 800 mm ² /s - at operating conditions
Accuracy	+/- 0.15% of measured value	
Repeatability	+/- 0.02% of measured value	
Pressure drop	See attached pressure drop chart	
Calibration report	On 3 points (8 m3/h, 40 m3/h, 80 m3/h)	
Manifold		
Connection nominal size	DN 80 / 3"	
Material	Ductile iron (EN 5.3201), Aluminum (EN AC-42200) (option)	
End connection style	Flanges ASA 150 RF, ISO PN16, TW1 (only with aluminum manifold)	
Flow direction/Mounting	PH2, PH1, PV1, PV2, PV3, PV4, PV5*, PV6* Non-standard: PH3*, PH4*, PH5*, PH6*, PV7*, PV8*, PV9*, PV10*, PV11*, PV12*, PV13*, PV14* * : only with TW flanges and aluminum manifold See attached document	
Coating	Acrylic-Epoxy coating RAL5010, Marine Epoxy coating RAL5010 (option)	
Flowmeter body		
Body material	Ductile iron (EN 5.3201), Ni resist iron (EN-JL3011) (option)	
Cap/end cover material	Carbon steel (EN 1.0625) with protective coating	
Seal/O-ring material	Viton, Nitrile (option for alcohols measurement)	
External coating	Acrylic-Epoxy coating RAL5010, Marine Epoxy coating RAL5010 (option)	
Measuring chamber		
Displacement element type	Sliding vanes flowmeter	
Cyclic volume	2,27 L - 0,6 USG	
Blades / Blades connection rods	Graphite / Stainless steel	
Rotor	Aluminum (EN AC-42100)	
Bearings	Stainless steel (EN 1.4301)	
Swing joint	Viton, Nitrile (option for alcohols), PTFE (option for low ambient temperature)	
Drive train and adjuster		
Drive type	Mechanical transmission	
Accuracy adjuster type	Calibration constants	
Pulses transmitter	Type AC30	
Temperature compensation type	With external Pt100	
Register		
Register type	Electronic register	
Model	Equalis S or equivalent	
Environmental		
Ambient working temperature	min / max	-25°C, -40°C (option) / +55°C - -13°F, -40°F (option) / +131°F
Storage temperature	min / max	-40°C / +80°C - -40°F / +176°F
Certification		
ATEX	Zone 1 II 2 G - See note 1	
European metrology	CE /MID evaluation certificate n°LNE-11052	
International metrology	OIMLR117-1, type compliance certificate n°LNE-24351	
Standards compliance	API, ASME, GOST, NATO. See note 2	

Note 1: See AC30 and Equalis S data sheets for Ex approvals characteristics.

Note 2: Contact us for further information about standards compliance.

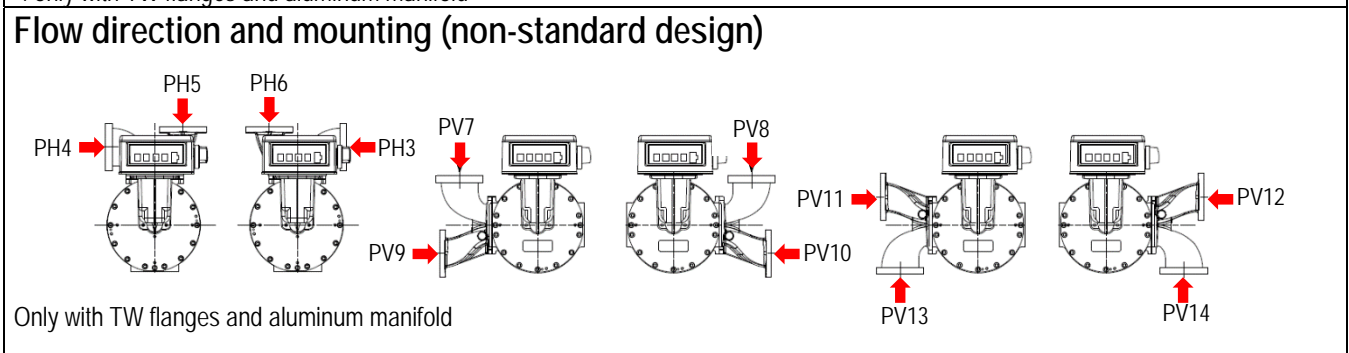
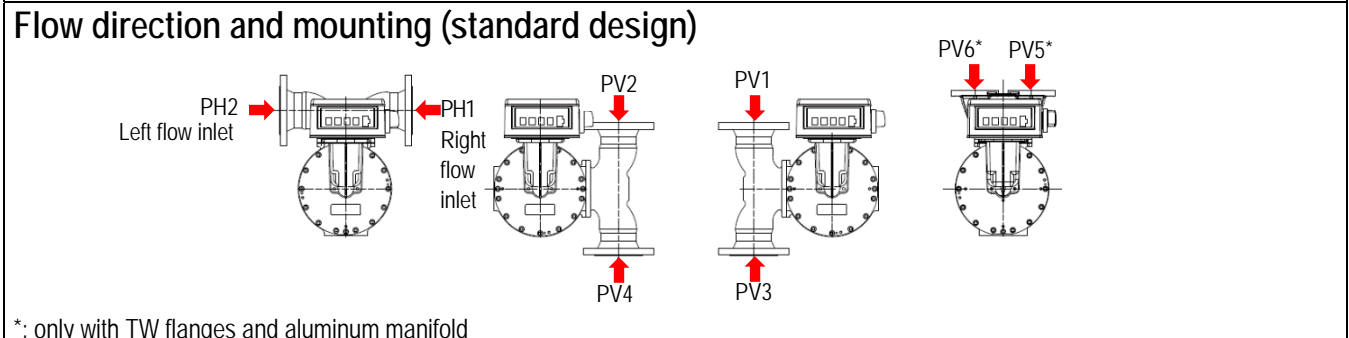
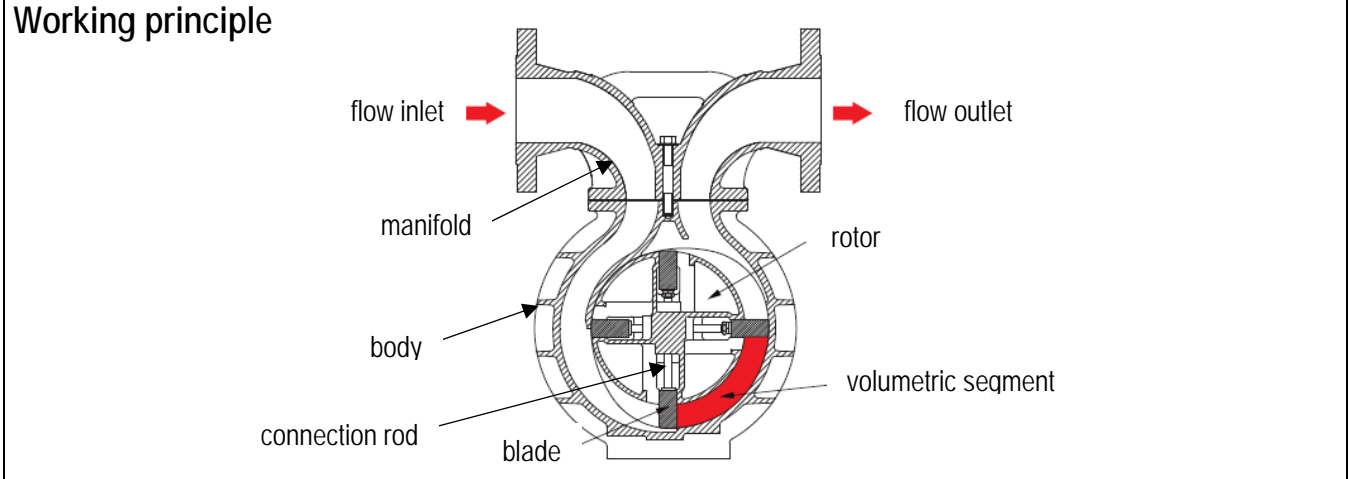
SATAM sas**Headquarters & Sales Department**

Paris Nord 2 – Bâtiment Le Gauvain
47, allée des Impressionnistes – BP85012 – Villepinte
95931 Roissy CDG Cedex – France
Tel : +33 (0)1 48 63 02 11 – Fax: +33 (0)1 49 38 41 01
Email : sales@satam.eu

Manufacturing facility

Avenue de Verdun
14700 Falaise – France
Tel : +33 (0)2 31 41 41 41
Fax : +33 (0)2 31 40 75 61

Equipment	Positive Displacement meter
Model	ZC17-80 with electronic register



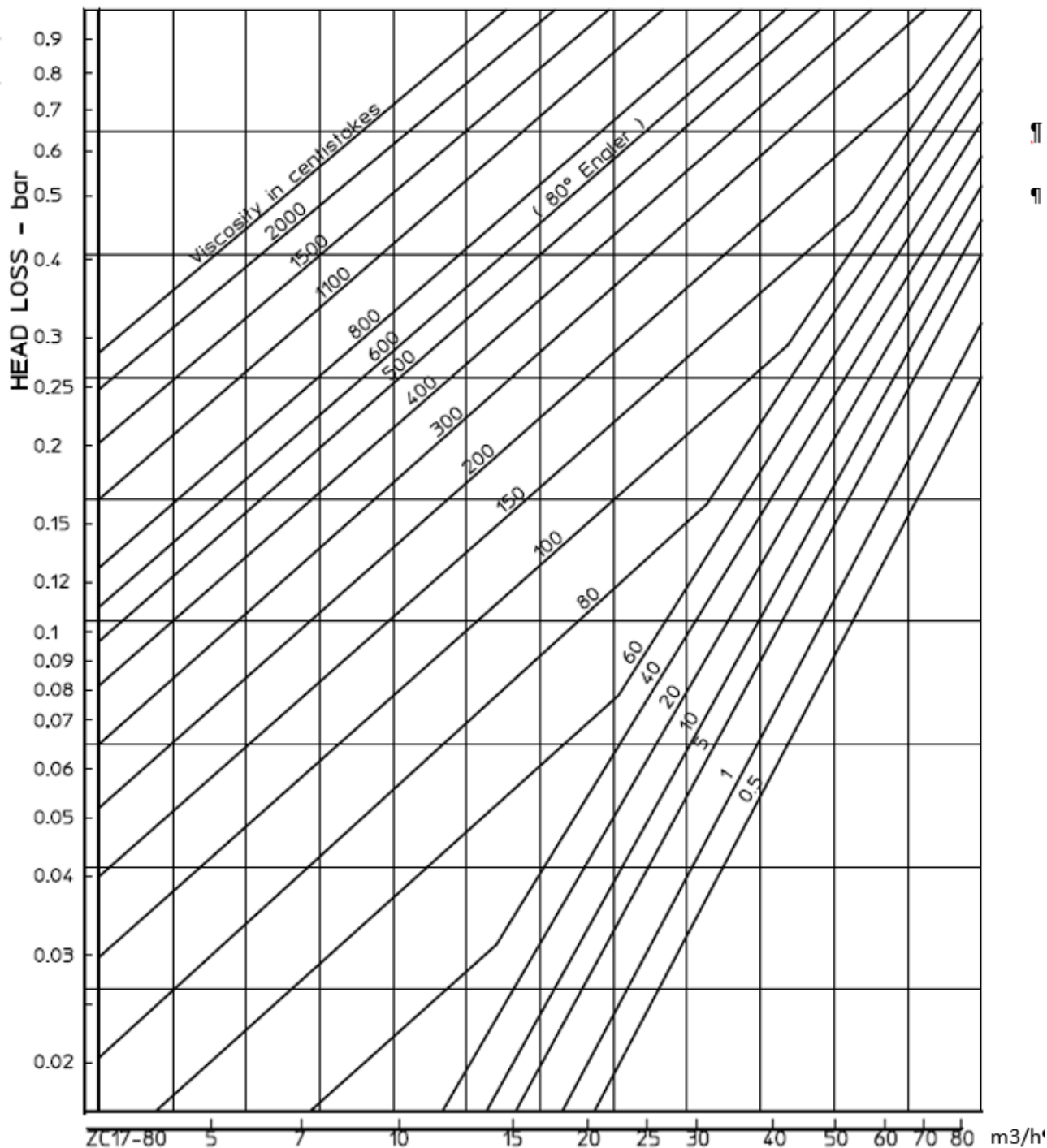
Dimensions and weight

Dimensions and weight are mentioned without electronic register.
Please refer to Equalis S data sheets for information about dimensions and weight of electronic register.

Dimensions (mm)	ZC17-80
A (with 3" ASA150RF & iron manifold)	356
A (with 3" ASA150RF & alum manifold)	320
B	502
C	278
D	407
Weight (kg)	67

Equipment	Positive Displacement meter
Model	ZC17-80 with electronic register

Pressure drop chart



SATAM sas

Headquarters & Sales Department

Paris Nord 2 – Bâtiment Le Gauguin
 47, allée des Impressionnistes – BP85012 – Villepinte
 95931 Roissy CDG Cedex – France
 Tel : +33 (0)1 48 63 02 11 – Fax: +33 (0)1 49 38 41 01
 Email : sales@satam.eu

Manufacturing facility

Avenue de Verdun
 14700 Falaise – France
 Tel : +33 (0)2 31 41 41 41
 Fax : +33 (0)2 31 40 75 61