

Equipment	Master meter		
Model	ZCM17-250 with electronic register		
Performance characteristics			
Measured liquids	Liquid hydrocarbons, industrial oils, fatty acid esters, ethanol		
Static pressure	max	15 bar	
Inlet pressure	max	10 bar	
Liquid temperature	min / max	- 10°C / +90°C	14°F / +194°F
Working flow rate	min / max	25 m ³ /h - 416 L/min - 110 USGPM / 250 m ³ /h - 4166 L/min - 1100 USGPM	
Liquid viscosity	max	20 mm ² /s (MID) - 800 mm ² /s - at operating conditions	
Accuracy		< 0.1%	< 0.05% with linearization
Repeatability		< 0.02%	
Calibration report	According to OIML R117-1 / One calibration report per operating viscosity Calibration at 7 flowrates with 2 repetitions per flow rate Calibration at 25, 62, 100, 137, 175, 212, 250 m ³ /h		
Flowmeter manifold			
Connection nominal size	DN 150 / 6"		
End connection style	Flanges ASA 150 RF		
Material	Steel (EN 1.0625), Steel with AMERON anticorrosion internal lining (option)		
Coating	Acrylic-Epoxy coating RAL5010, Marine Epoxy coating RAL5010 (option)		
Flowmeter body			
Body material	Ductile iron (EN 5.3201) , Ni resist iron (EN-JL3011) (option)		
Cap/end cover material	Carbon steel (EN 1.0625) with protective coating		
Seal/O-ring material	Viton, Nitrile (option for alcohols measurement)		
External coating	Acrylic-Epoxy coating RAL5010, Marine Epoxy coating RAL5010(option)		
Measuring chamber			
Displacement element type	Sliding vanes flowmeter		
Cyclic volume	6,82 L - 1,8 USG		
Blades / Blades connection rods	Graphite / Stainless steel		
Rotor / Bearings	Aluminum (EN AC-42100) / Stainless steel (EN 1.4301)		
Swing joint	Viton, Nitrile (option for alcohol), PTFE (option for low ambient temperature)		
Drive train and adjuster			
Drive type	Mechanical transmission		
Accuracy adjuster type	Calibration constants – Linearization according to calibration report		
Pulses transmitter	Type AC30		
Register			
Register type	Electronic register, Equalis S		
Display	Operating volume, base volume, volume flowrate, temperature		
Accessories (options)			
Accessories			
Temperature measurement	Pt100		
Pressure measurement	Local display		
Trolley version (option)			
Trolley	Calibration device mounted on chassis with 4 pivoting wheels		
Connecting pipes between meter and hoses	Quantity 2, Steel (EN 1.2506)		
Flexible hoses / Connections	3mL / Loose type flanges 6"ASA 150lbs, TODO type couplings, CAMLOCK type couplings		
Isolating valve	Ball valve located downstream the meter (option)		
Drainage equipment	Manual drainage pump with purge valve, hoses and 2 release valves		
Environmental			
Ambient working temperature	min / max	-25°C, -40°C (option) / +55°C	-13°F, -40°F (option) / +131°F
Storage temperature	min / max	-40°C / +80°C	-40°F / +176°F
Certification			
ATEX	Zone 1, II 2 G – See note 1		

Note 1: See AC30 and Equalis S data sheets for Ex approval characteristics

SATAM sas**Headquarters & Sales Department**

Paris Nord 2 – Bâtiment Le Gauvain
47, allée des Impressionnistes – BP85012 – Villepinte
95931 Roissy CDG Cedex – France
Tel : +33 (0)1 48 63 02 11 – Fax: +33 (0)1 49 38 41 01
Email : sales@satam.eu

Manufacturing facility

Avenue de Verdun
14700 Falaise – France
Tel : +33 (0)2 31 41 41 41
Fax : +33 (0)2 31 40 75 61

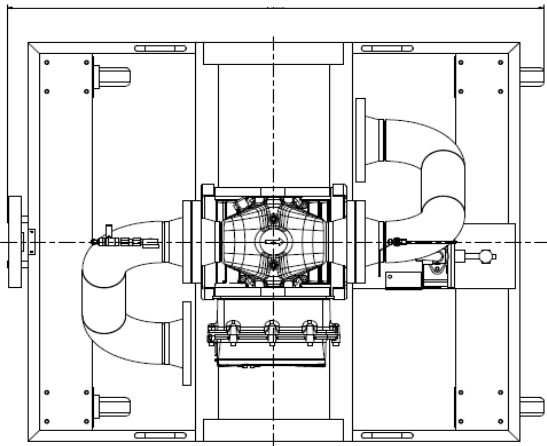
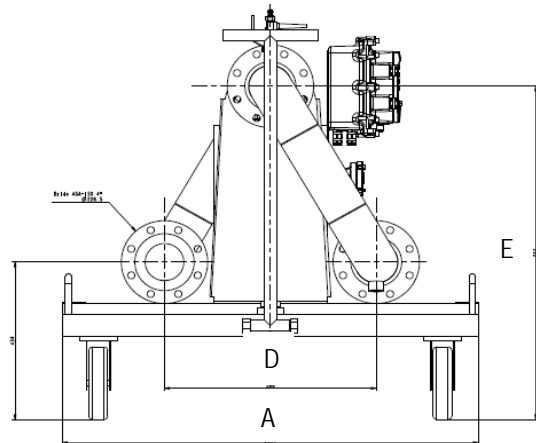
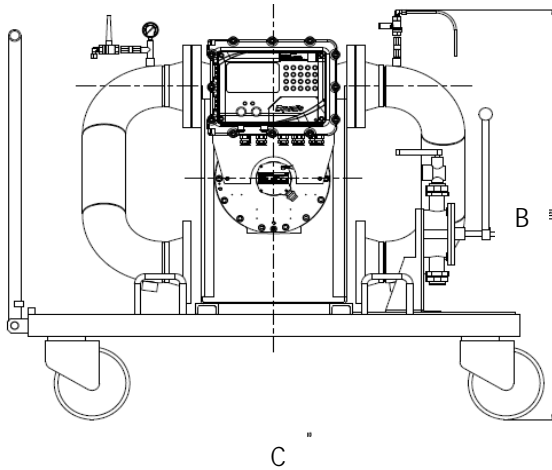
www.satam.eu

DS057-Rev00-09/17-Marketing Satam
Subject to modification without prior notice

Equipment	Master meter
Model	ZCM17-250 with electronic register

Dimensions (trolley version)

Hoses for process connection are not shown on this drawing.



Dimensions (mm)	ZCM17-250
A	1400
B	1200
C	1800
D	700
E	980
Weight (kg)	450

SATAM sas

Headquarters & Sales Department

Paris Nord 2 – Bâtiment Le Gauvain
 47, allée des Impressionnistes – BP85012 – Villepinte
 95931 Roissy CDG Cedex – France
 Tel : +33 (0)1 48 63 02 11 – Fax: +33 (0)1 49 38 41 01
 Email : sales@satam.eu

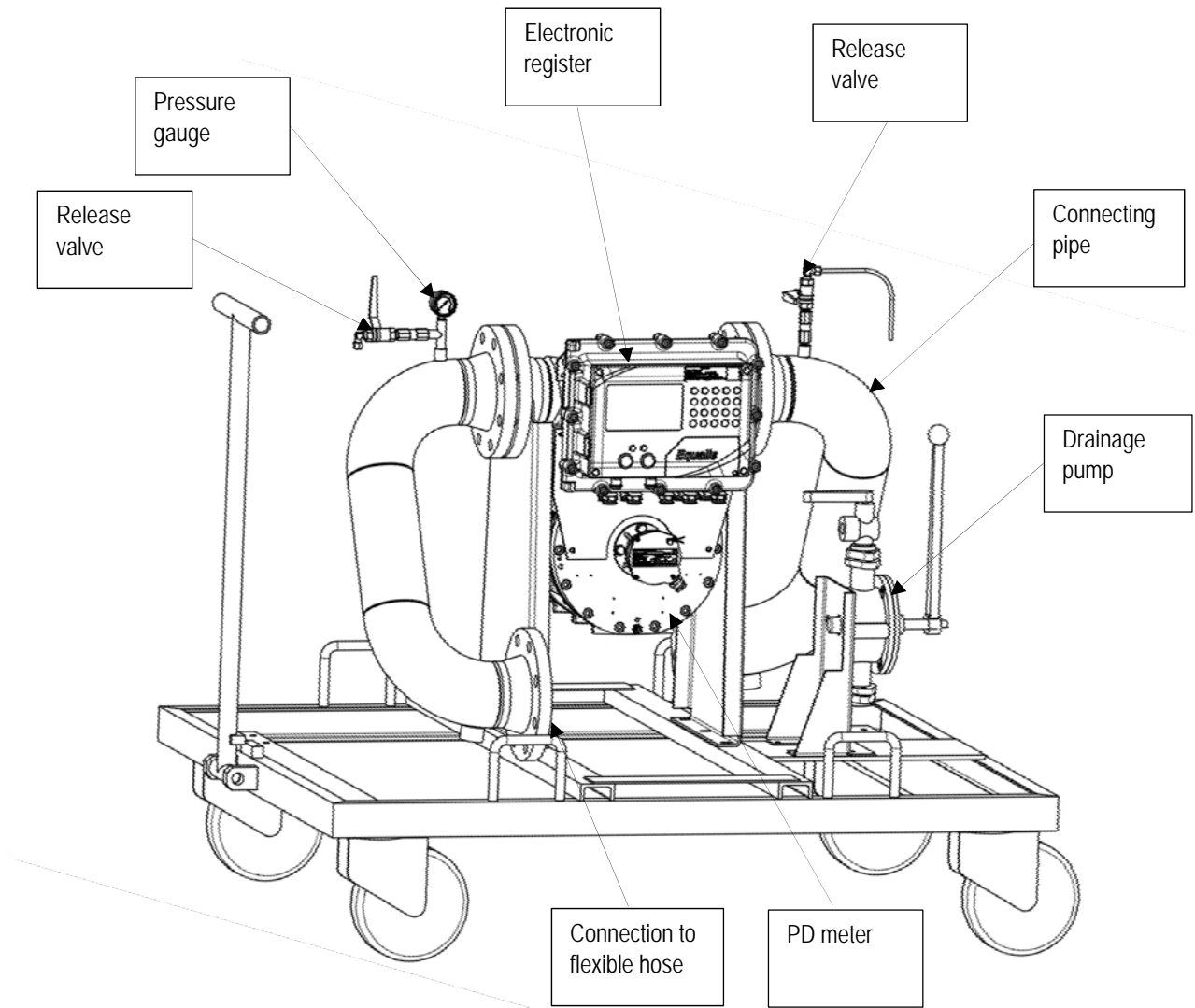
Manufacturing facility

Avenue de Verdun
 14700 Falaise – France
 Tel : +33 (0)2 31 41 41 41
 Fax : +33 (0)2 31 40 75 61

Equipment	Master meter
Model	ZCM17-250 with electronic register

Typical design of ZCM17 (trolley version)

Hoses for process connection and temperature probe are not shown on this drawing.



SATAM sas

Headquarters & Sales Department

Paris Nord 2 – Bâtiment Le Gauguin
 47, allée des Impressionnistes – BP85012 – Villepinte
 95931 Roissy CDG Cedex – France
 Tel : +33 (0)1 48 63 02 11 – Fax: +33 (0)1 49 38 41 01
 Email : sales@satam.eu

Manufacturing facility

Avenue de Verdun
 14700 Falaise – France
 Tel : +33 (0)2 31 41 41 41
 Fax : +33 (0)2 31 40 75 61