

<b>Equipment</b>	<b>Master meter</b>		
<b>Model</b>	<b>ZCM17-80 with mechanical register</b>		
<b>Performance characteristics</b>			
Measured liquids	Liquid hydrocarbons, industrial oil, fatty acid esters, ethanol		
Static pressure	max	15 bar	
Inlet pressure	max	10 bar	
Liquid temperature	min / max	- 10°C / +90°C	14°F / +194°F
Working flow rate	min / max	8 m <sup>3</sup> /h - 133 L/min - 36 USGPM / 80 m <sup>3</sup> /h - 1333 L/min - 360 USGPM	
Liquid viscosity	max	20 mm <sup>2</sup> /s (MID) - 800 mm <sup>2</sup> /s - at operating conditions	
Accuracy	< 0.1% of measured value		
Repeatability	< 0.02% of measured value		
Pressure drop	See attached pressure drop chart		
Calibration report	According to OIML R117-1 / One calibration report per operating viscosity Calibration at 7 flowrates with 2 repetitions per flow rate Calibration at 8, 20, 32, 44, 56, 68 and 80 m <sup>3</sup> /h		
<b>Flowmeter manifold</b>			
Connection nominal size	DN 100 / 4"		
Material	Ductile iron (EN 5.3201) , Aluminum (EN AC-42200) (option)		
End connection style	Flanges ASA 150 RF		
Coating	Acrylic-Epoxy coating RAL5010, Marine Epoxy coating RAL5010 (option)		
<b>Flowmeter body</b>			
Body material	Ductile iron (EN 5.3201) , Ni resist iron (EN-JL3011) (option)		
Cap/end cover material	Carbon steel (EN 1.0625) with protective coating		
Seal/O-ring material	Viton, Nitrile (option for alcohols measurement)		
External coating	Acrylic-Epoxy coating RAL5010, Marine Epoxy coating RAL5010 (option)		
<b>Measuring chamber</b>			
Displacement element type	Sliding vanes flowmeter		
Cyclic volume	2,27 L - 0,6 USG		
Blades / Blades connection rods	Graphite / Stainless steel		
Rotor / Bearings	Aluminum (EN AC-42100) / Stainless steel (EN 1.4301)		
Swing joint	Viton, Nitrile (option for alcohols), PTFE (option for low ambient temperature)		
<b>Drive train and adjuster</b>			
Drive type / Accuracy adjuster type	Mechanical transmission / AB21		
<b>Register</b>			
Register type	Mechanical register		
Model / Accessories	VR7887, 5 digits / Preset with valve, printer, pulses transmitter		
<b>Flowrate indicator</b>			
Display	Indication in L/mn, option: m <sup>3</sup> /h, USGPM		
<b>Accessories</b>			
Temperature measurement	Local display (option)		
Pressure measurement	Local display		
<b>Trolley version (option)</b>			
Trolley	Calibration device mounted on chassis with 4 pivoting wheels		
Connecting pipes between meter and hoses	2, Steel		
Flexible hoses / Connections	3mL / Loose type flanges 4"ASA 150lbs, TODO type couplings, CAMLOCK type couplings		
Isolating valve	Ball valve located downstream the meter (option)		
Drainage equipment	Manual drainage pump with purge valve, hoses and 2 release valves		
<b>Environmental</b>			
Ambient working temperature	min / max	-25°C, -40°C (option) / +55°C	-13°F, -40°F (option) / +131°F
Storage temperature	min / max	-40°C / +80°C	-40°F / +176°F
<b>Certification</b>			
ATEX	Zone 1 II 2 G		

**SATAM sas****Headquarters & Sales Department**

Paris Nord 2 – Bâtiment Le Gauquin  
47, allée des Impressionnistes – BP85012 – Villepinte  
95931 Roissy CDG Cedex – France  
Tel : +33 (0)1 48 63 02 11 – Fax: +33 (0)1 49 38 41 01  
Email : sales@satam.eu

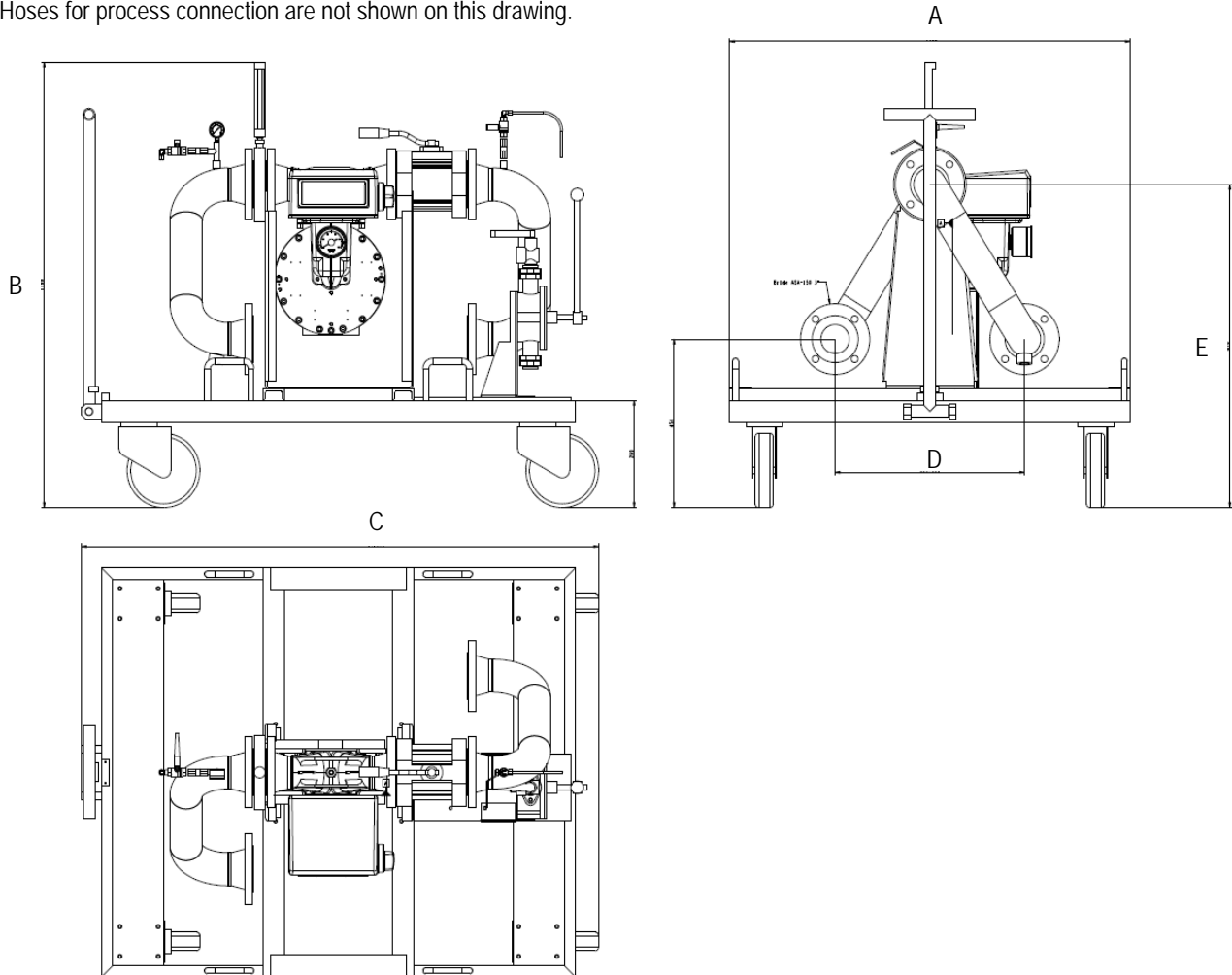
**Manufacturing facility**

Avenue de Verdun  
14700 Falaise – France  
Tel : +33 (0)2 31 41 41 41  
Fax : +33 (0)2 31 40 75 61

<b>Equipment</b>	<b>Master meter</b>
<b>Model</b>	<b>ZCM17-80 with mechanical register</b>

**Dimensions and weight (trolley version)**

Hoses for process connection are not shown on this drawing.



Dimensions (mm)	ZCM17-80
A	1100
B	1199
C	1419
D	520
E	870
Weight (kg)	300

**SATAM sas**

**Headquarters & Sales Department**

Paris Nord 2 – Bâtiment Le Gauvain  
 47, allée des Impressionnistes – BP85012 – Villepinte  
 95931 Roissy CDG Cedex – France  
 Tel : +33 (0)1 48 63 02 11 – Fax: +33 (0)1 49 38 41 01  
 Email : sales@satam.eu

**Manufacturing facility**

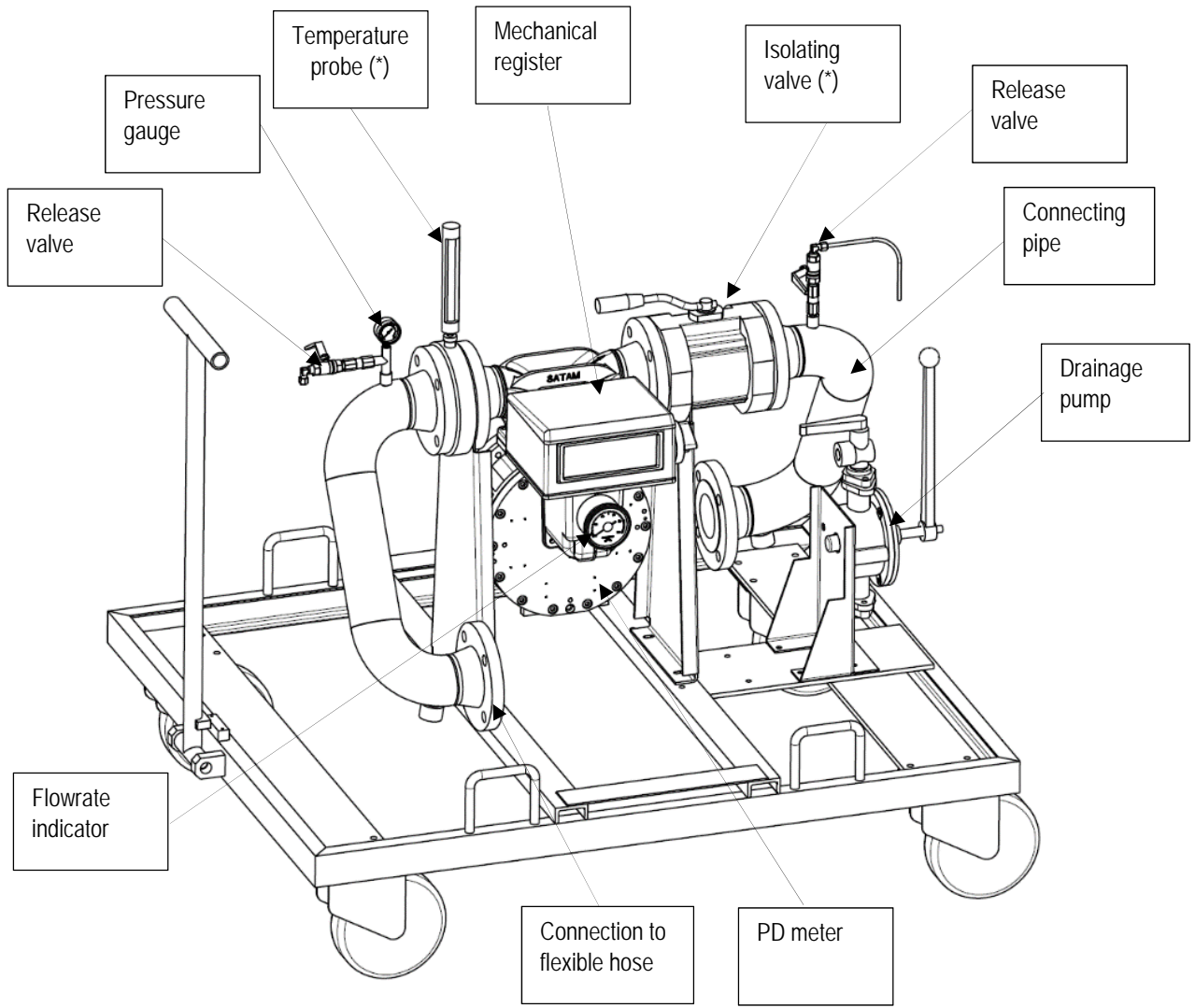
Avenue de Verdun  
 14700 Falaise – France  
 Tel : +33 (0)2 31 41 41 41  
 Fax : +33 (0)2 31 40 75 61

<b>Equipment</b>	<b>Master meter</b>
<b>Model</b>	<b>ZCM17-80 with mechanical register</b>

**Typical design of ZCM17 (trolley version)**

Hoses for process connection are not shown on this drawing.

\*: optional supply



**SATAM sas**

**Headquarters & Sales Department**

Paris Nord 2 – Bâtiment Le Gauquin  
 47, allée des Impressionnistes – BP85012 – Villepinte  
 95931 Roissy CDG Cedex – France  
 Tel : +33 (0)1 48 63 02 11 – Fax: +33 (0)1 49 38 41 01  
 Email : sales@satam.eu

**Manufacturing facility**

Avenue de Verdun  
 14700 Falaise – France  
 Tel : +33 (0)2 31 41 41 41  
 Fax : +33 (0)2 31 40 75 61